

## 492 16 A Power Relay Unit

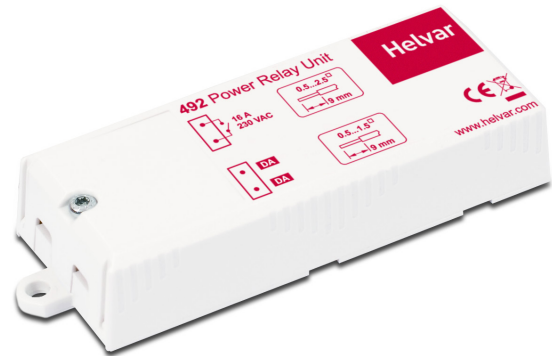
The 492 is a single-channel relay unit designed to allow control of non-DALI, nondimmable loads.

The relay is a latching, volt-free contact, high-inrush type, with a contact rating of 16 A.

The 16 A Power Relay Unit is packaged within a plastic enclosure that can be installed within a luminaire or an electrical cabinet, or used as an in-line unit. This compact enclosure has mounting lugs at each end, and cable grips are an integral part of the terminal cover.

The unit is powered from the DALI network. It forms a DALI relay node with a typical current consumption of 2 mA, and it can be programmed as a single-channel relay with Helvar's lighting design software, Designer and Toolbox.

*Note: This unit does not contain a DALI power supply. Therefore, one must be present elsewhere in the system.*



### Key Features

- 16 A high-current relay
- High-inrush specification relay
- Compact size for luminaire, electrical panel or in-line mounting
- Secure wire connection cover

## Technical Data

### Connections

DALI consumption:	2 mA DALI cabling must be mains rated
DALI:	0.5 mm <sup>2</sup> – 1.5 mm <sup>2</sup> solid or stranded Strip length: 8.5 mm – 9.5 mm
Relay:	0.5 mm <sup>2</sup> – 1.5 mm <sup>2</sup> stranded 0.5 mm <sup>2</sup> – 2.5 mm <sup>2</sup> solid core Strip length: 8.5 mm – 9.5 mm

### Relay

Relay contacts:	High-inrush, single-pole, single-throw (SPST) latching relay
Isolation:	3 kV
Maximum load:	16 A
Number of devices:	Quantity is limited by MCB: refer to the manufacturer's data.
External protection:	External protection must not exceed 16 A type C MCB.

### Mechanical data

Housing:	White plastic (polycarbonate)
Weight:	52 g
IP code:	IP30

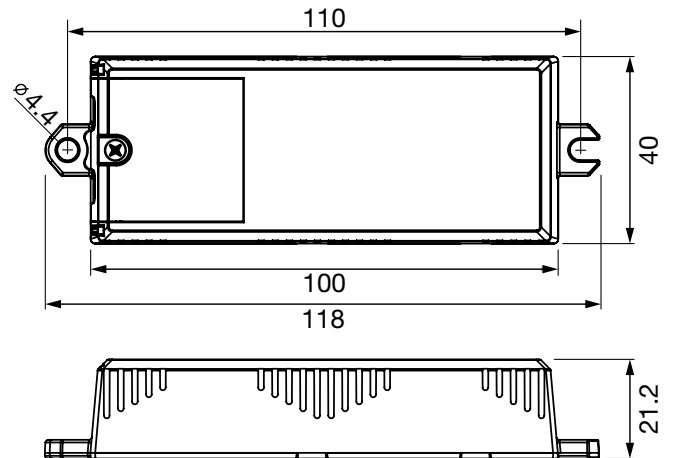
### Operating and storage conditions

Ambient temperature:	0 °C to +40 °C
Storage temperature:	-10 °C to +70 °C
Relative humidity:	Max. 90 %, noncondensing

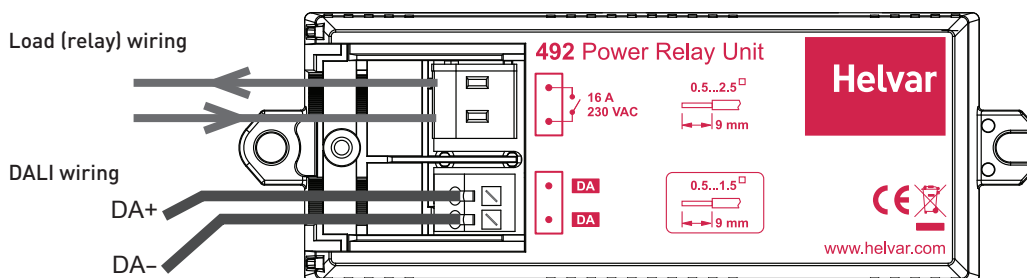
### Conformity and standards

DALI:	IEC 62386-101 IEC 62386-102 IEC 62386-208
Emission:	EN 55015
Immunity:	EN 61547
Safety:	EN 61347-2-11
Environment:	Complies with WEEE and RoHS directives.

### Dimensions (mm)



### Connections



#### Note:

The DA+ and DA- wires can go in either of the DALI connectors.