

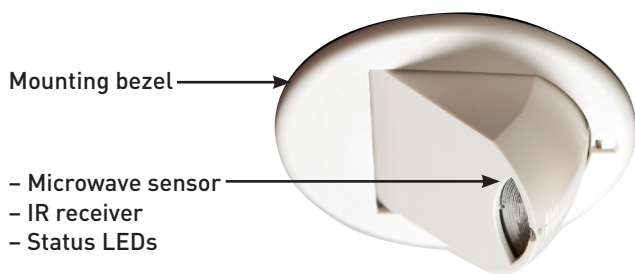
# 314, 314B Tilting Microwave Detector

The Tilting Microwave Detector provides occupancy detection for the automatic control of DALI lighting loads. The unit can also be controlled using a Helvar infrared remote handset, such as the 303 DIGIDIM Infrared Remote Control.

Helvar's 314 detects movement using its highly sensitive microwave detector. It works by emitting low-power microwave signals and measuring the reflections as the signals bounce off moving objects.

The unit has an adjustable sensor head that allows the area of detection to be optimised for the required application. When an area is no longer occupied, the load switches off after a certain time. This time-out period is configured using Helvar's lighting system design and control software: Designer, or Toolbox.

## Features and Connections



### Microwave sensor

Detects movement within the detection range allowing load control in response to changes in room occupancy.

### IR receiver

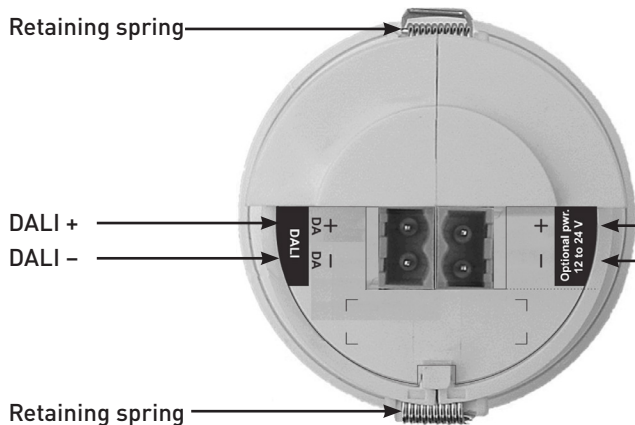
Receives control and programming commands from a Helvar infrared remote handset (available separately).

### Status LED

The red LED flashes to indicate the following:

Valid setting received	
Identify active	

= Red LED



### Optional connection to external power

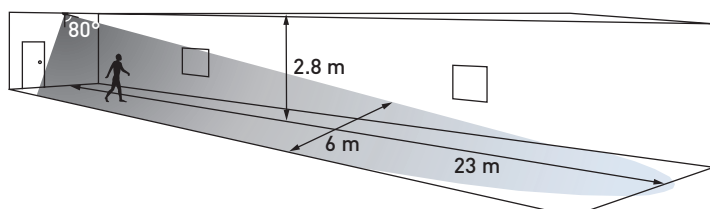
12 V to 24 V. See 'External Power Supply (Optional)' on page 3.

### DALI connection

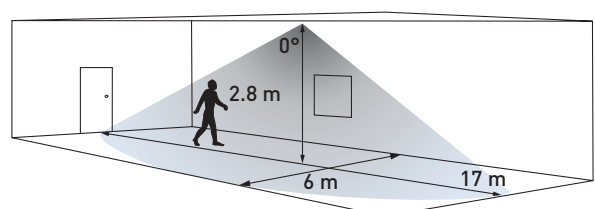
The DALI connection is made via DA+ and DA- terminals. The DALI input is not polarity sensitive (unless you are using an external power supply).

## Detection Pattern

Detector head position at 80° to the vertical for large offices or classrooms and for corridor and aisles. Sensitivity set to maximum.



Detector head position at 0° to the vertical for open plan areas and offices. Sensitivity set to maximum.



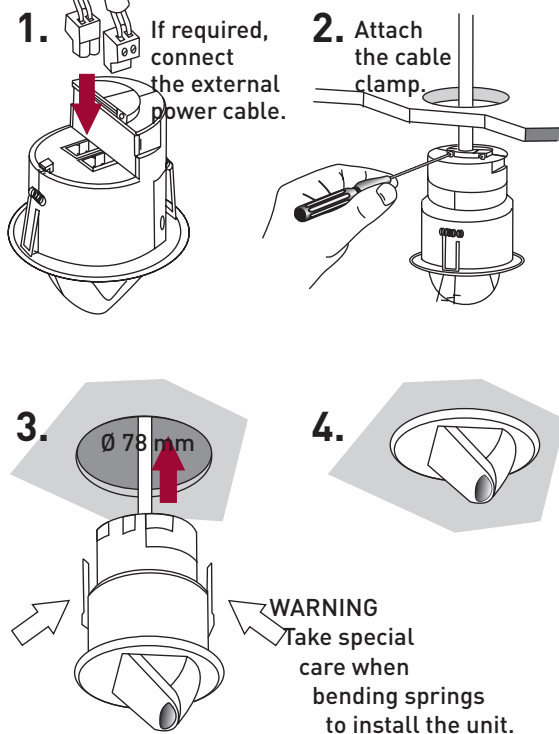
1. Install the unit: see 'Connection and Fixing' on page 2.
- 2a. Connect the DALI terminal blocks to the sockets located at the rear of the sensor.
- 2b. If required, connect the optional power supply: see 'Detection Pattern' on page 1.
3. Power the unit up.
4. After the lighting load switches on, by default it will switch off after 20 minutes of no movement detected.

## Installation Notes

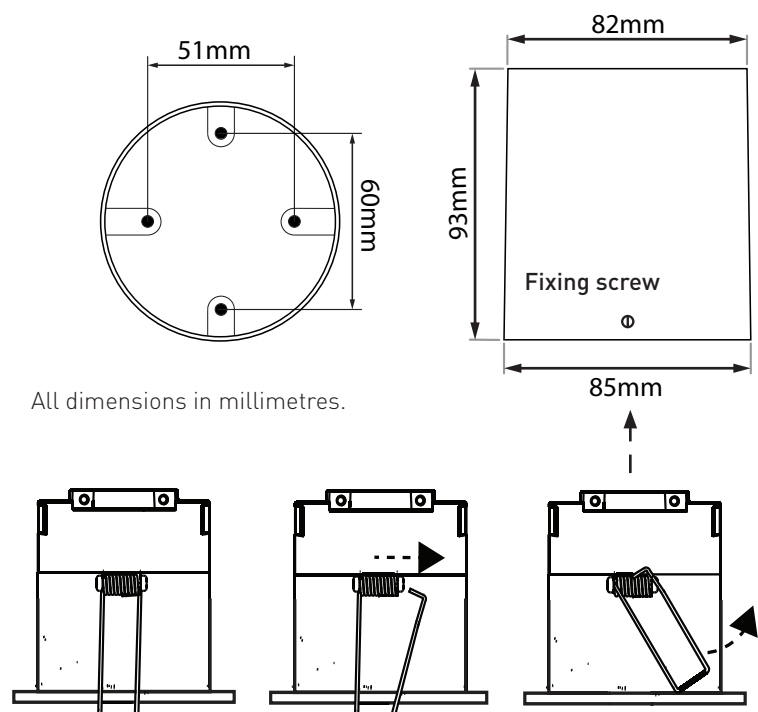
- Position the sensor so that the occupants of the room are normally inside the detection zone.
- Do not install the sensor within 1 m of any lighting, forced air heating, or ventilation equipment.
- Do not fix the sensor to an unstable or vibrating surface.
- Install the unit as far away as possible from the surface of metal objects.
- The detection pattern illustrated [see 'Sensitivity' on page 3] is based on a mounting height of 2.8 m. A lower mounting height will decrease the overall size of the detection zone.

## Connection and Fixing

### Mounting hole



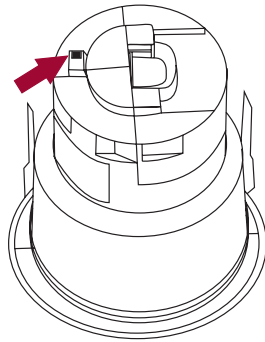
### Surface back box SBB-B



## Head Locking

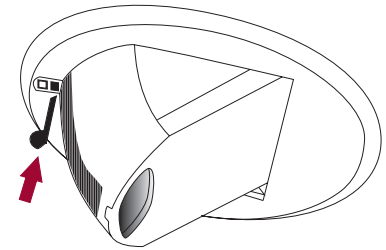
1.

Remove metal locking clip from rear of unit.



2.

- Adjust head to required position.
- Push clip into position shown below to lock head.
- To remove clip, lever out with a small screwdriver.

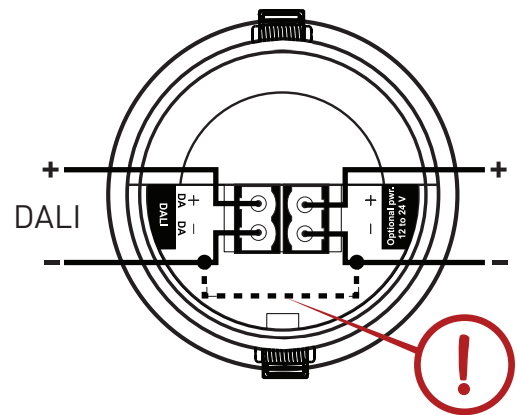


## External Power Supply (Optional)

The following table gives the 12 V to 24 V external power supply units that can be used, as well as the sensor hardware revision needed for each of them. With some models, you must make a wire link between the DALI negative terminal and the negative terminal of the external power supply, as shown in the figure.

EPS	Current limited	Link from DA- to EPS-	Sensor hardware revision
Helvar 401	Yes	No	Any
Helvar 402	Yes	Yes	Any
Helvar 403	Yes	No	Any
Helvar LL1x30-E-CV24	Slow	No	4 or later
Generic 12 V to 24 V	No	No*	4 or later

\* Except in some cases where the generic EPS output is referenced to earth.



## Remote Control

You can use a Helvar infrared remote handset, such as the 303 DIGIDIM Infrared Remote Control, to send signals to the 314 Detector to:

- Recall lighting scenes 1-4.
- Adjust light levels.
- Store current level.
- Install preset levels for scenes 1-4.



**303 DIGIDIM Infrared Remote Control**  
For details, see the 303 *Installation and User Guide*.

## Other Functions

### Sensitivity

Adjust the sensitivity using *Designer*, or *Toolbox* (Helvar's lighting system design and control software).

**Note:** On maximum sensitivity, the detector unit is **extremely sensitive** to movement and may detect through glass, thin walls or partitions. If this causes a problem, reduce its sensitivity.

### Adjusting On, Exit and Transition Time-Outs

The default time-outs for On, Exit and Transition can be altered using *Designer*, or *Toolbox*.

### Check connection to DALI Network

To check the sensor is correctly connected the DALI network, use the *Identify* function in *Designer*, or *Toolbox*.

### Using Designer and Toolbox Software

When using *Designer*, connect the PC to the lighting network via a Helvar Router.

When using *Toolbox*, connect the PC to the lighting network via a Helvar serial or USB interface.

For further information about *Designer* and *Toolbox*, visit [www.helvar.com](http://www.helvar.com).

Helvar | Data is subject to change without notice.

# Technical Data

## Connections

**External power / DALI:** Removable terminal block  
Wire section: 0.5 mm<sup>2</sup> – 1.5 mm<sup>2</sup>  
solid or stranded

**Cable rating:** All cables must be mains rated.

## Power

**DALI supply input:** 13 V to 22.5 V

**DALI consumption:** 40 mA  
Note: DALI consumption is less than 2 mA when external power is supplied to the unit.

**(Optional) External power:** 12 V to 24 V; 0.5 W

## Remote control functions

**Use Helvar infrared remote handset to:**

- Recall lighting scenes 1–4.
- Adjust light levels.
- Store current level.
- Install preset levels for scenes 1–4.

Note: Adjust sensitivity using Designer, or Toolbox (not by remote control unit).  
Factory setting for sensor sensitivity: 9 (maximum).

## Microwave operating frequency

Model	Frequency
314	10.687 GHz China, Hong Kong, India, Malaysia, Middle East, Singapore, United Kingdom
314/R2	10.525 GHz Australia, Europe except for Austria, France, Germany, Ireland, Portugal, Slovakia, Switzerland and the United Kingdom
314/R3	9.900 GHz France, Portugal, Switzerland

## Mechanical data

**Mounting hole diameter:** 78 mm

**Bezel diameter:** 85 mm

**Recommended clearance depth (incl. 50 mm for cabling):** 80 mm (without protective cover)  
100 mm (with protective cover)

**Material (casing):** Flame retardant ABS and PC/ABS

**Finish / Colour:** Matt / White RAL 9003  
Matt/ Anthracite Grey RAL 7016

**Weight:** 124 g

**IP code:** IP30

## Operating conditions

**Ambient temperature:** 0 °C to +50 °C

**Relative humidity:** Max. 90 %, noncondensing

**Storage temperature:** –10 °C to +70 °C

## Conformity and standards

**EMC immunity:** EN 61000-6-1

**EMC emission:** EN 61000-6-3

**Safety:** EN 60730-1

**Environment:** Complies with WEEE and RoHS directives.

## Version information

**Software version:** 6

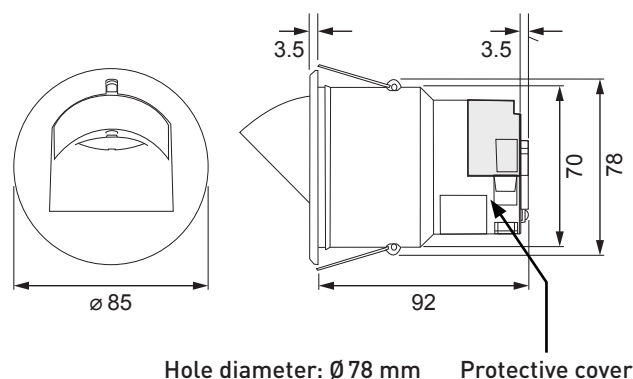
**Hardware version:** Rev. 4

## Software compatibility

**Designer:** 4.1 or later

**Toolbox:** 2.2.16 or later

## Dimensions



Helvar Ltd  
Hawley Mill  
Hawley Road  
DARTFORD  
DA2 7SY  
UNITED KINGDOM  
www.helvar.com